

Technical Bulletin 078

– Zero 175 Data Sheet



Issue Date 22/01/24

Revision 01

Lifeline Fire and Safety Systems Limited

Falkland Close, Charter Avenue Industrial Estate,
Coventry, West Midlands, CV4 8AU

Tel: +44 (0)24 7671 2999

Fax: +44 (0)24 7642 1322

Email: sales@lifeline-fire.co.uk

Technical Bulletin 078 –

REV1 22/01/24

Other References	
TB044	Zero 275 Installation Guide
TB006	Monnex MSDS
TB046	Coldfire MSDS

Overview

The Lifeline Zero 175 extinguisher is homologated to FIA8876-2022 standard. Using the same technology as the Zero 275 range (UK Patent No. 2578666). The systems provides a high level of protection for you and your vehicle and have been extensively tested by Lifeline, the FIA, and BSI. The Lifeline Zero 175 fire suppression system uses Monnex[™] fire suppression powder. Monnex[™] has been tested rigorously on fuels from numerous industries including aviation, as well as testing against industrial chemical, showing its versatility and effectiveness. Monnex[™] is the most trusted high performance firefighting powder.

By utilising an innovative, patented design, the Zero 175 is the lightest FIA 8876-2022 system on the market weighing just 1.296kg.

Specification

Description	Zero 175
Part Number	105-002-001
FIA Homologation	FS.001.23
Contents	Monnex
Weight of Cylinder	1.296 kg
Discharge System	Electrical
Cylinder Material	Aluminium
Operating Temperatures	-15 to +80°C

Class of Fire

The Zero 175 has been tested and approved to the class of fuels below.

Zero 275 (EX.018.18)

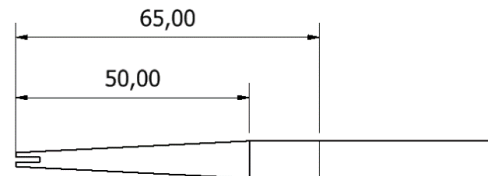
Class I	Petrol in accordance with Art.9 of Article 252 of the 2014 Appendix J
Class II	Petrol + up to 30% Ethanol
Class V – E85	Any specific fuel

Weights and Dimensions

Part Number	Description	Weight	Cylinder Dimensions (Length x Diameter)
105-002-001	Zero 175	1.296	100 x 255mm

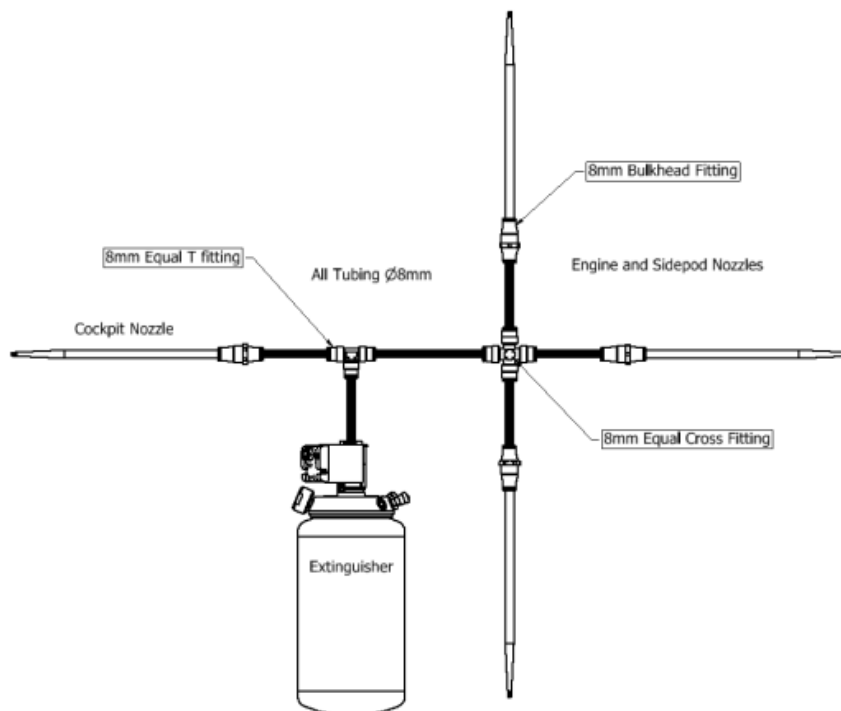
Nozzles

The nozzles utilise a unique design in order to create a high discharging nozzle. In the kit there will be 4 nozzles. 1 for each side pod, 1 for the cockpit to be aimed at the driver and 1 for the engine bay.



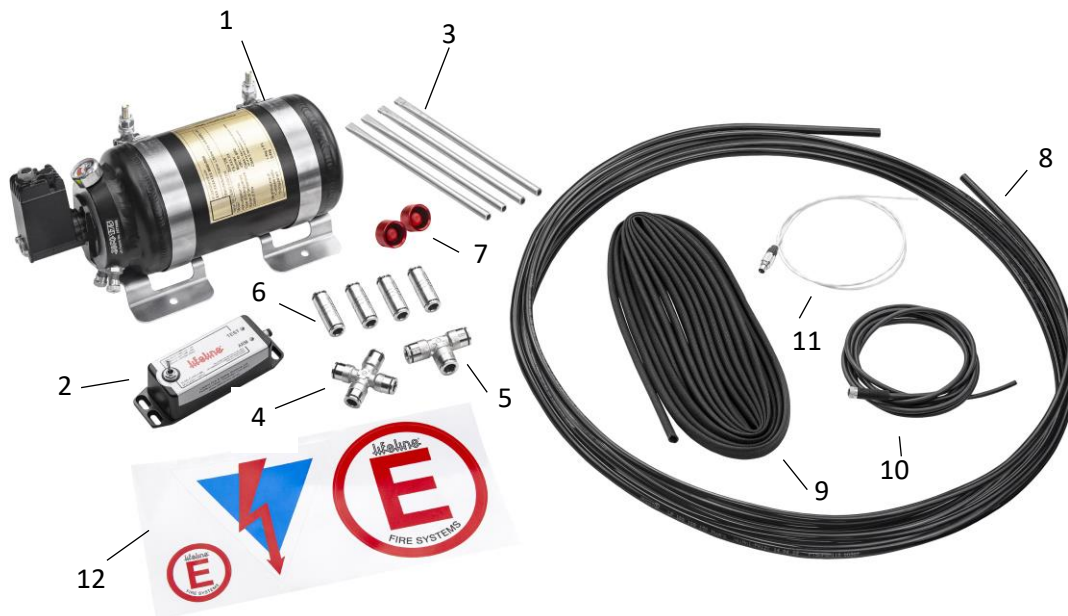
The nozzles will be supplied in 200mm lengths however the only active part of the nozzles is the first 50mm. The additional 150mm of the length is to allow modification and help position the nozzle. If a bend is required to be put into the nozzle the minimum bend radius is 30mm when using a pipe bending tool. The flat edge of the nozzle needs to be mounted parallel to the floor of the car.

Connect the Zero 175 cylinder to the nozzles following the schematic below and using the fittings provided in the kit. Ensure that the correct size tubing is used as per the diagram. Try to use similar lengths of tube from the cross piece to the engine and sidepod nozzles to distribute the suppressant as equally as possible. We recommend fixing the tubing if you can to the safety cell.

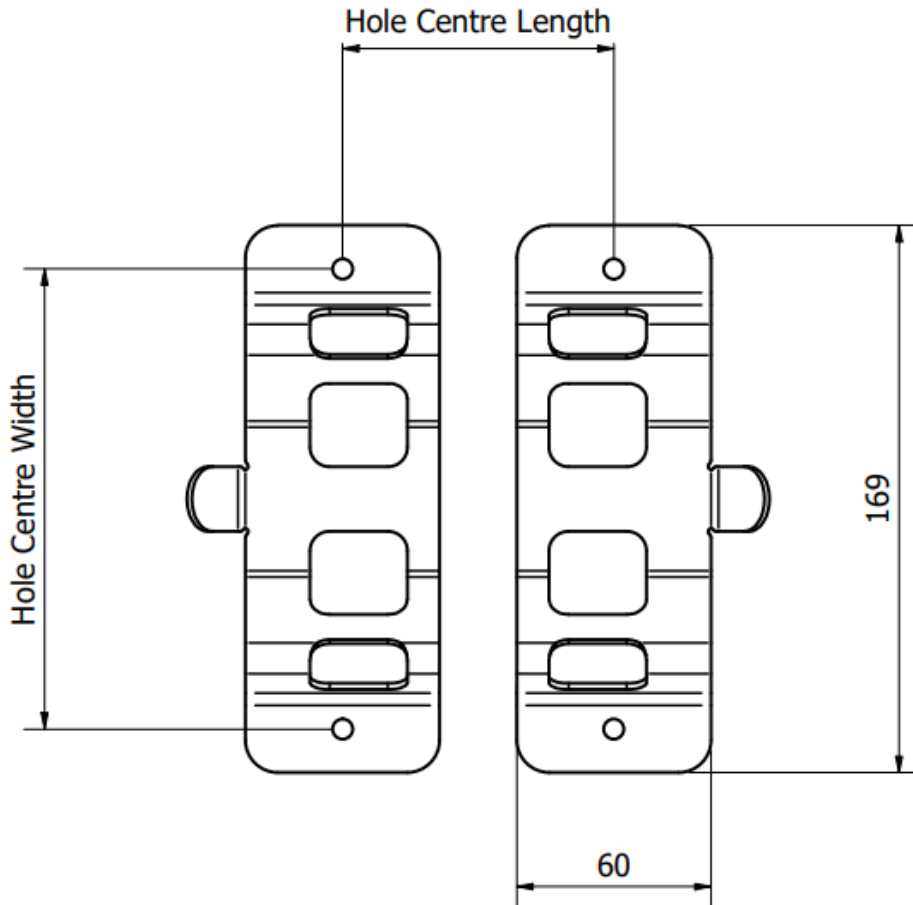


Kit Contents 105-001-002-K

Item	Part Number	Description	Qty
1.0	920-100-057-FIA	Bracket and Straps – Zero 175	1
2.0	941-000-040	Control Box – FIA 8865 – Binder	1
3.0	955-300-028	Nozzle – Zero 175	4
4.0	952-408-007	8mm 4 Way Equal Cross Connector	1
5.0	952-408-001	8mm Equal T Connector Steel	1
6.0	952-408-002	8mm Bulkhead Fitting	4
7.0	942-100-004	Switch – Pushbutton – Aluminium Bezel	2
8.0	951-101-019	8mm - Polyamide Coated Aluminium Hardline - 6m Cut Length	1
9.0	951-300-002	Heat Proof Overbraid (6-10mm) 6m	1
10.0	943-101-044	Binder 4 Core M8 Lead 2m	1
11.0	943-101-005	Plug and Lead – Binder 2 Pin	1
12.0	990-100-001	Decal Pack	1

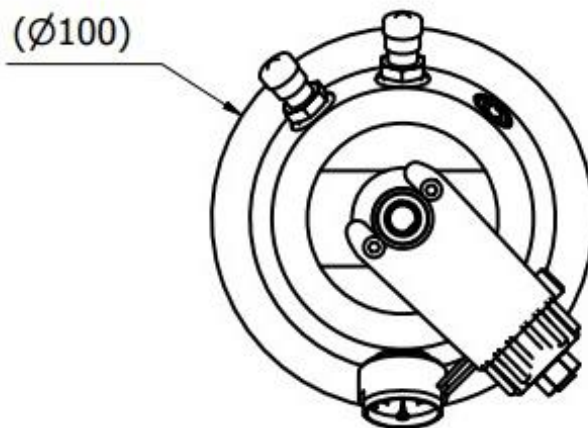
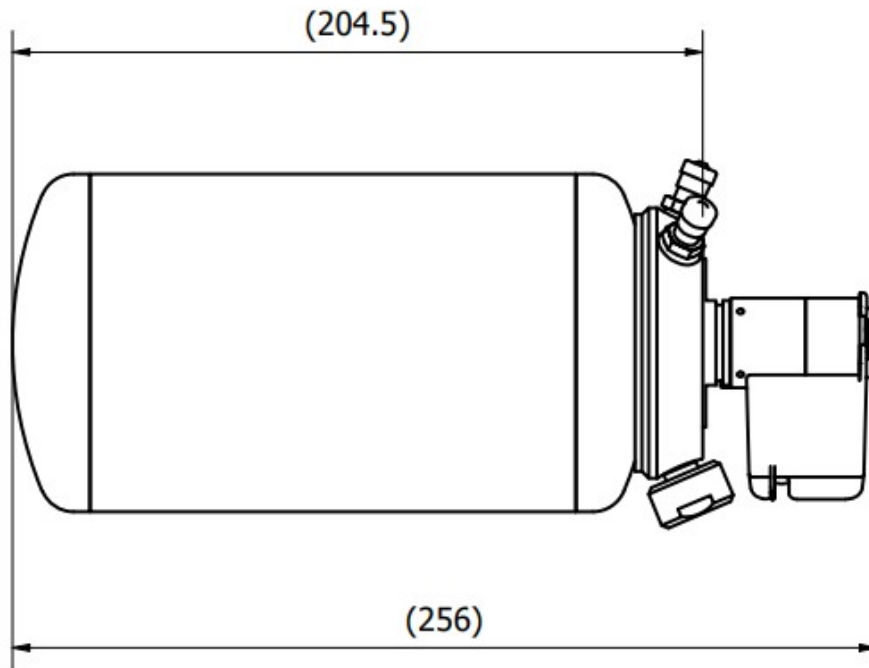


Bracket Fixing Centres



Hole Centres 275 (EX.018.18)	
Length	115mm
Width	105 ± 2mm

Cylinder Drawings



Schematic Drawing

